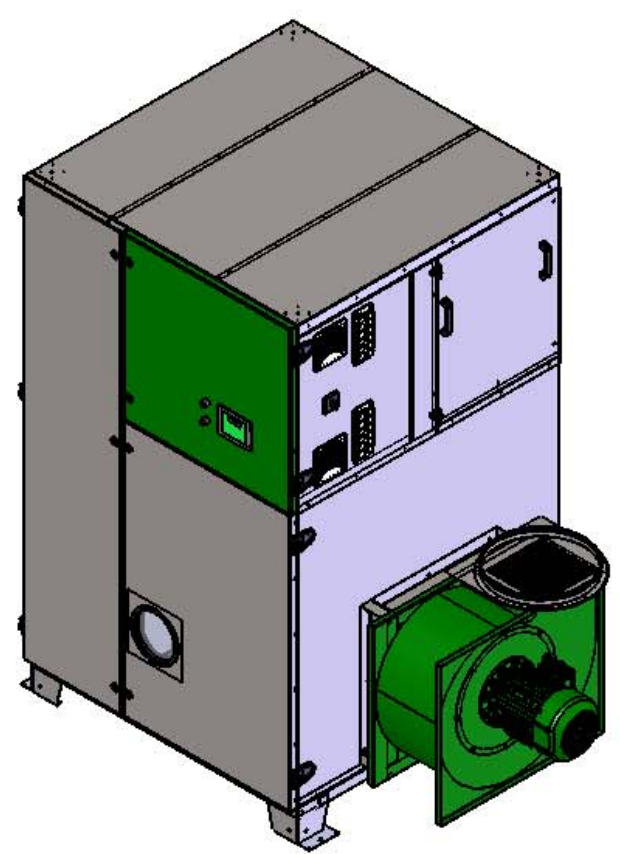
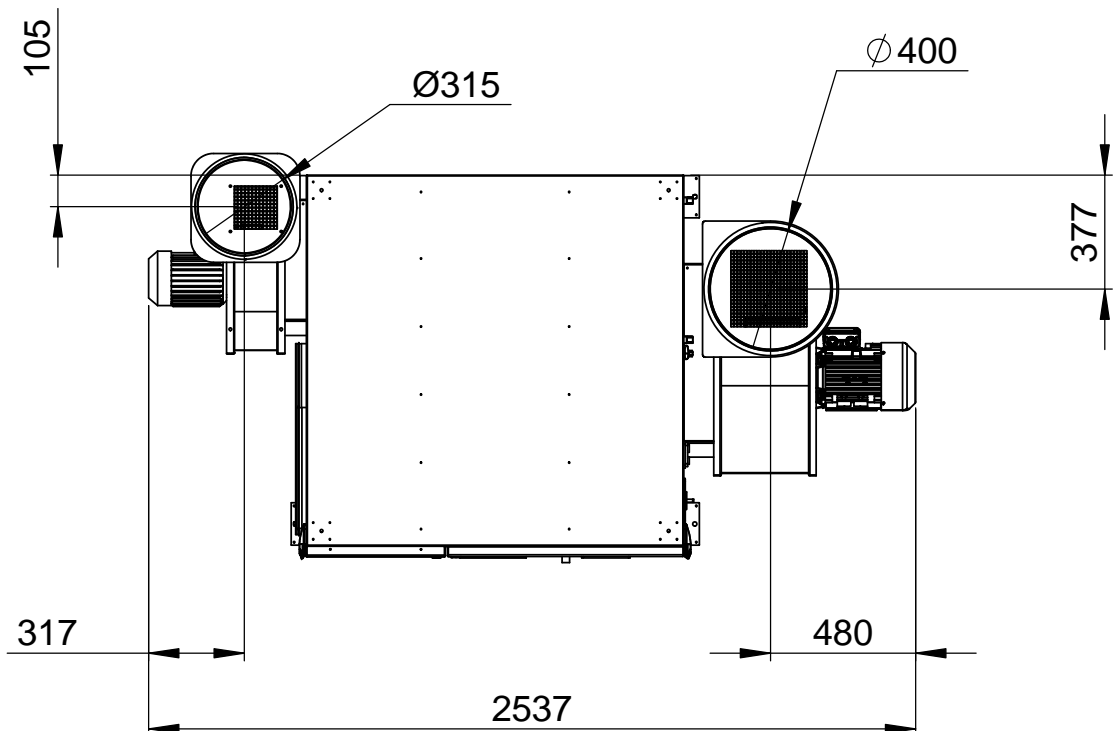
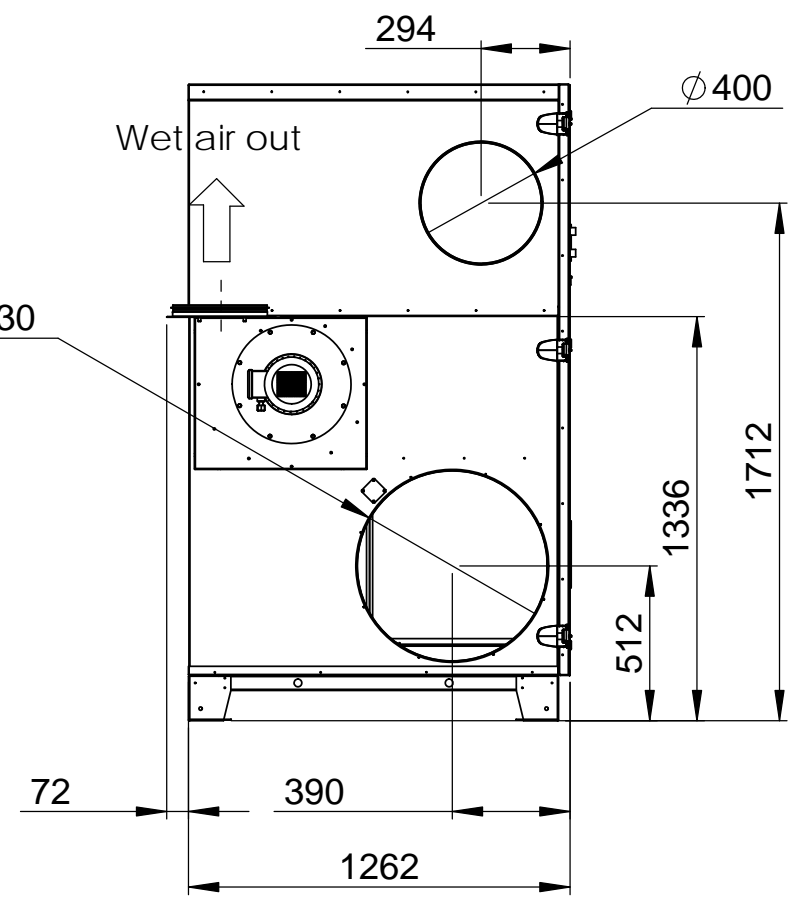
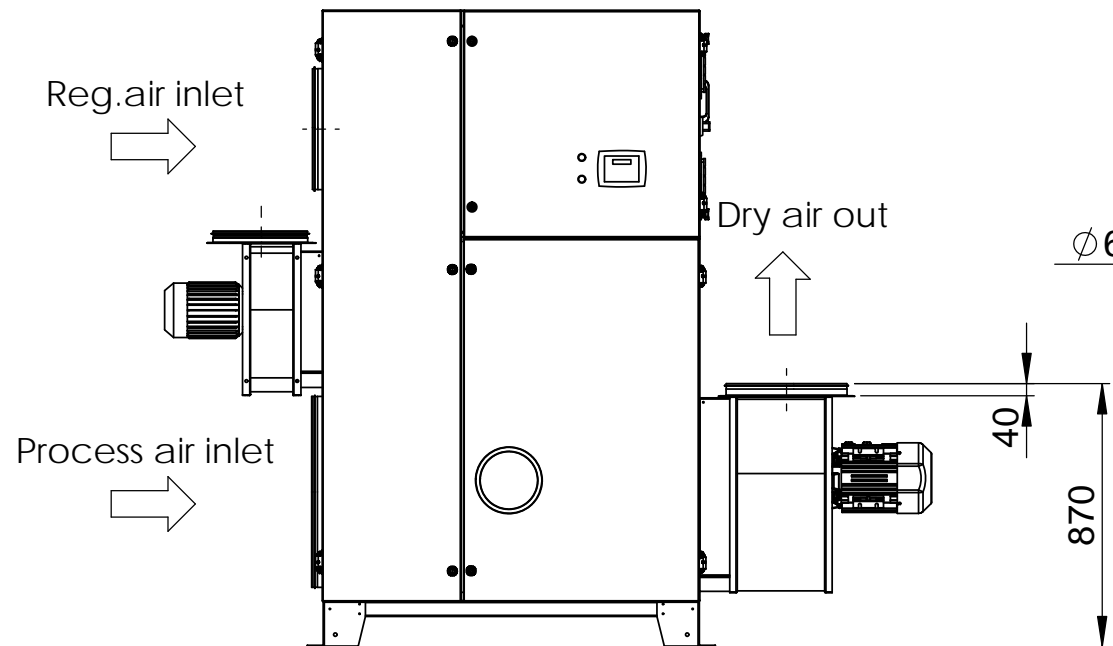
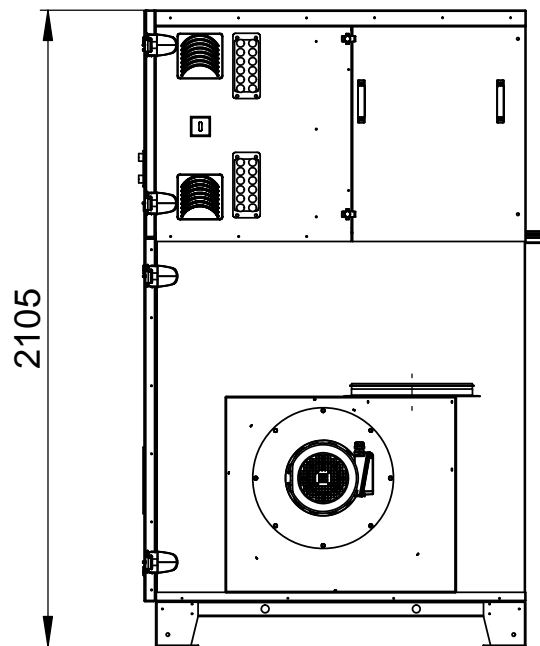


REVISIONS			
REV.	DESCRIPTION	DATE	APPROVED
01	Unit weight updated	2016-02-08	EL



This document and its contents are the exclusive property of DST Seibu Giken and must not be copied, reproduced, transmitted or communicated to any other party or used for purposes not expressly permitted by us.



Seibu Giken DST AB
+46 8 445 77 20
www.dst-sg.com

Designed by Catarina S	Date 2010-12-09	Title/Description CZ-102L Installationsritning CZ-102L Installationdrawing
Drawn by Catarina S	Date 2010-12-10	
Approved by -	Date -	Drawing no DST02293
Material -	Thickness t=	
Status Construction	Tolerance ISO 2768-1m	Rev 01+
Scale 1:25	Format A3	Sheet/Sheet 1/1
Rev Part 01+	Weight (Kg) 850.000	