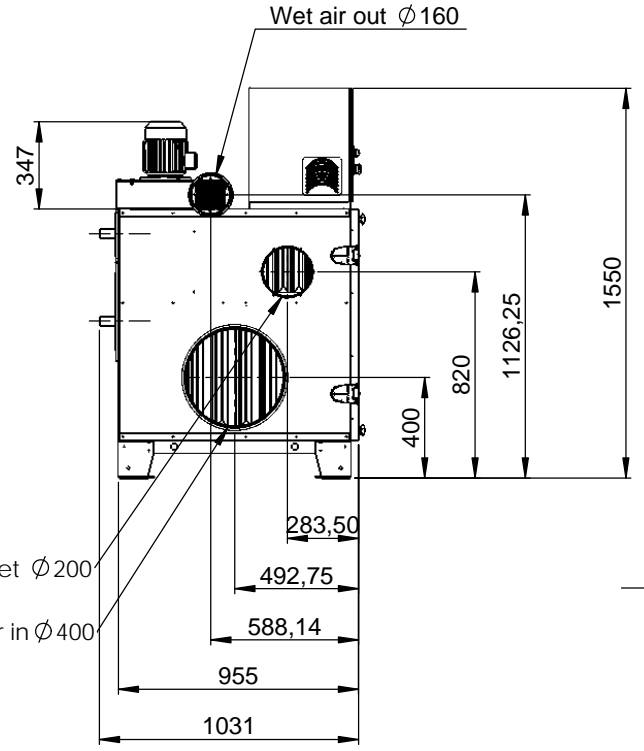
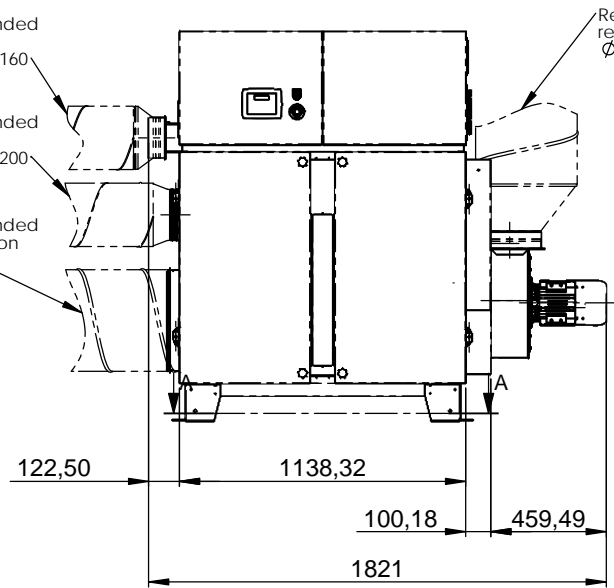
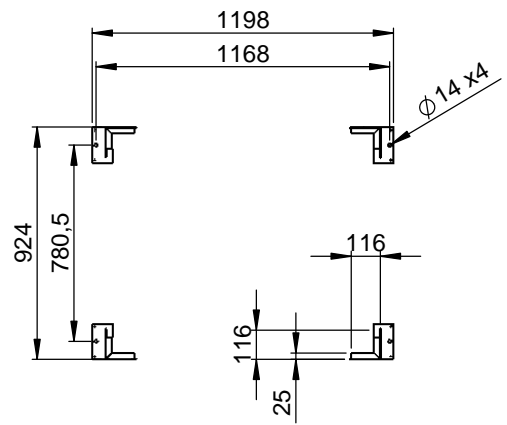


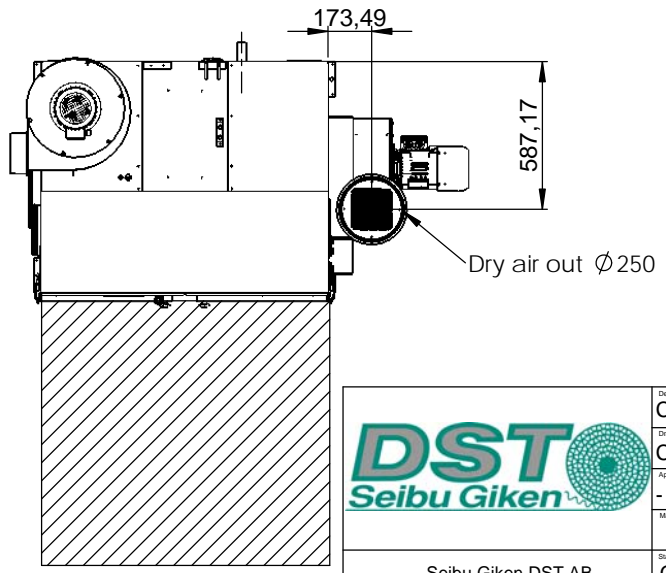
Recommended reducer $\phi 250 > \phi 160$
Recommended reducer $\phi 250 > \phi 200$
Recommended connection $\phi 400$



Package dimensions
Length: 1821 mm
Height: 1550 mm
Width: 1031 mm
Weight: 300kg



SECTION A-A



This document and its contents are the exclusive property of DST Seibu Giken and must not be copied, reproduced, transmitted or communicated in any form or by any means without the express permission of us.

		Designed by Catarina S	Date 2012-12-14	Title/Description Installationsritning RZ-081S
		Drawn by Catarina S	Date 2012-12-14	
		Approved by	Date	Installation drawing RZ-081S
		Material	Thickness t=	
Status Construction		Tolerance ISO 2768-1m		Drawing no DST04528
Scale 1:20	Format A3	Sheet/Sheet 1/1	Rev Part 00+ Weight (kg) 294	
Seibu Giken DST AB +46 8 445 77 20 www.dst-sg.com				