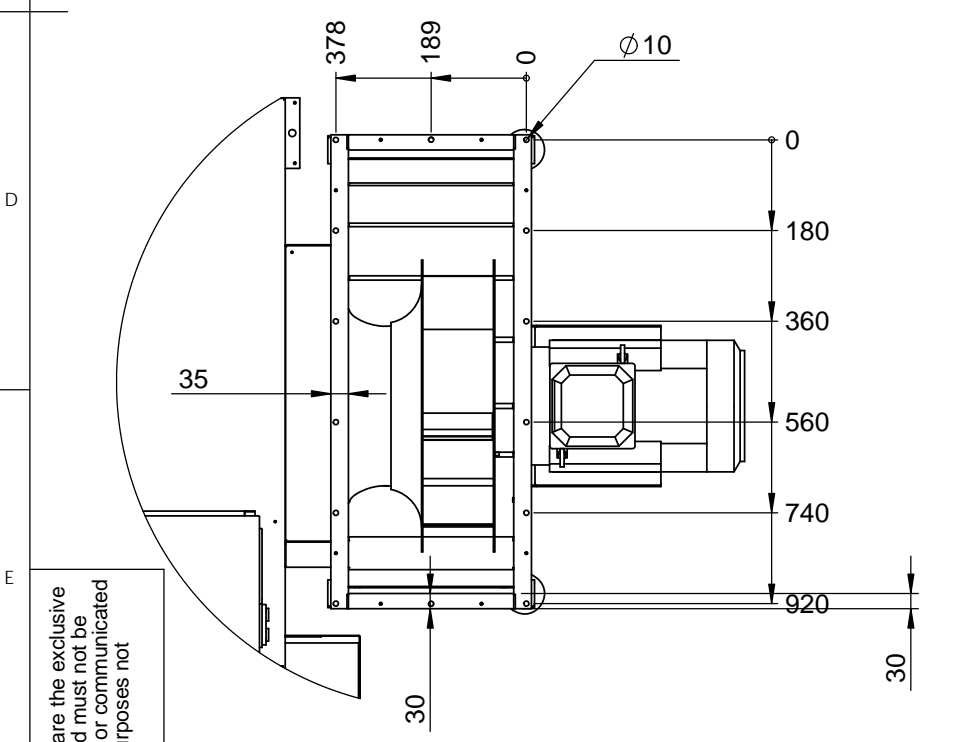
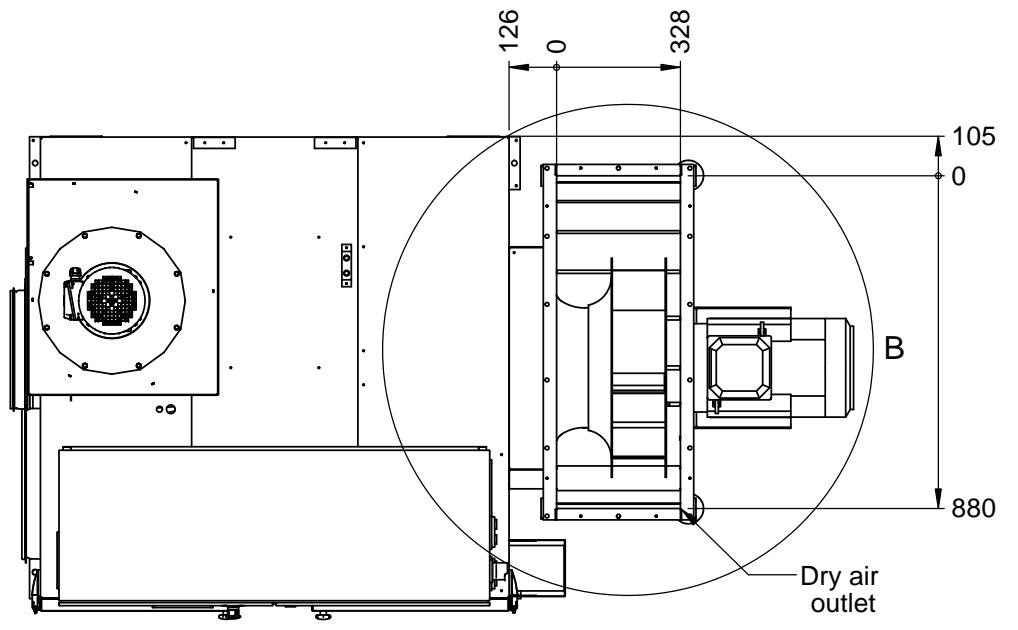


REVISIONS			
REV.	DESCRIPTION	DATE	APPROVED
01	Mass properties corrected. Process air fan position corrected.	2015-09-10	EL



DETAIL B
SCALE 1 : 15



This document and its contents are the exclusive property of DST Seibu Giken and must not be copied, reproduced, transmitted or communicated to any other party or used for purposes not expressly permitted by us.

		Designed by	Catarina S	Date	2013-08-19	Title/Description	 Installationsritning RZ-102 ICE
		Drawn by	Catarina S	Date	2013-08-20		
Seibu Giken DST AB +46 8 445 77 20 www.dst-sg.com		Approved by	-	Date	-	Installation drawing RZ-102 ICE	
		Status	Construction	Tolerance	ISO 2768-1m	Drawing no	DST05152
Scale	1:20	Format	A3	Sheet/Sheet	1/1	Rev Part	01
Weight (Kg)	513.000		Rev	01			