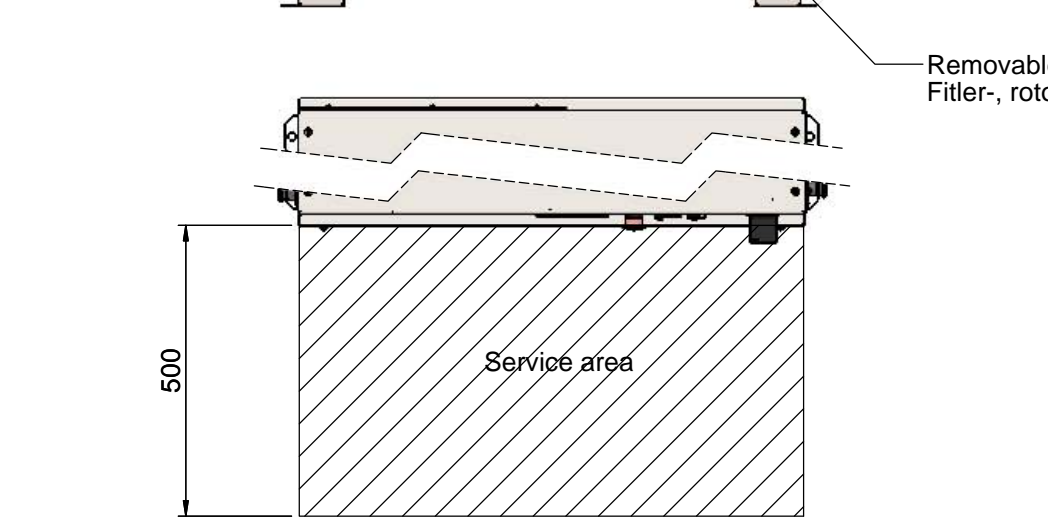
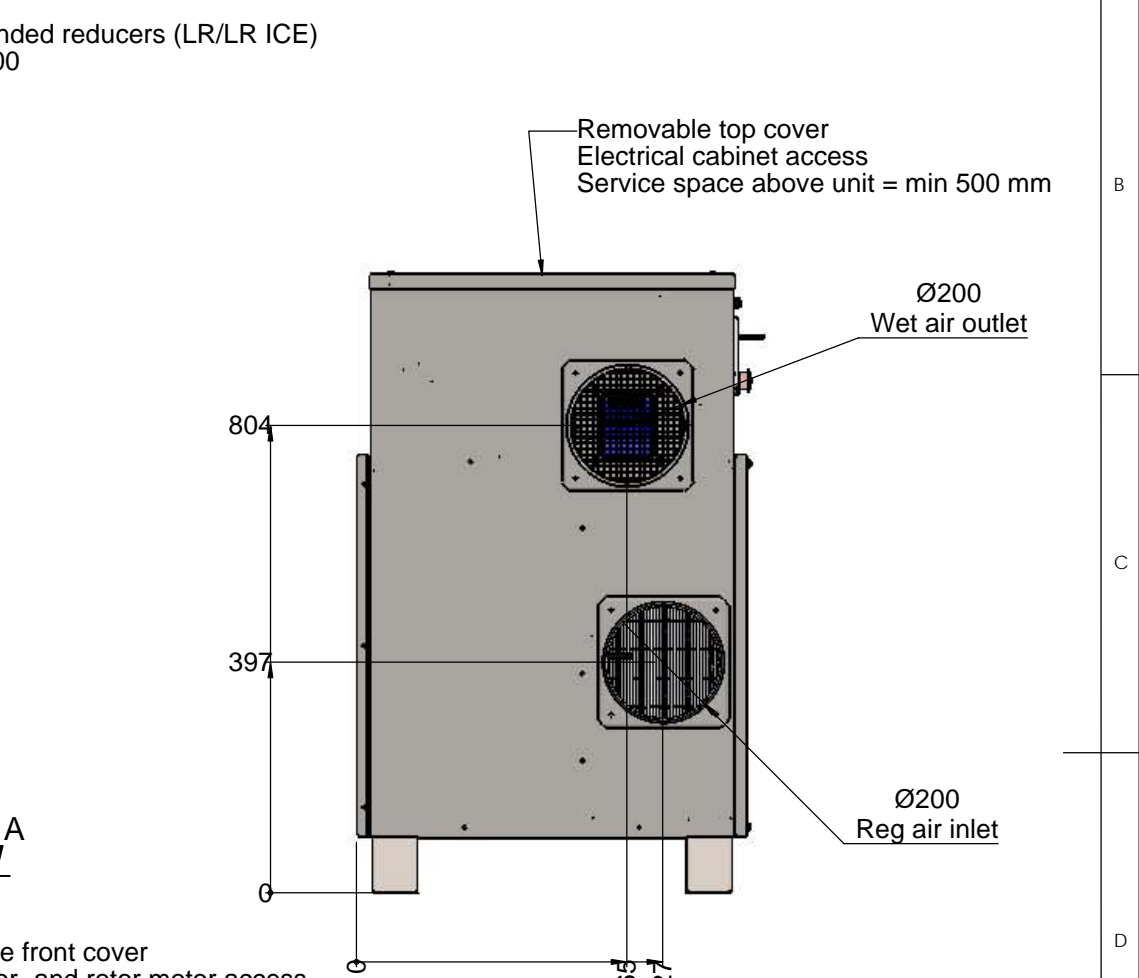
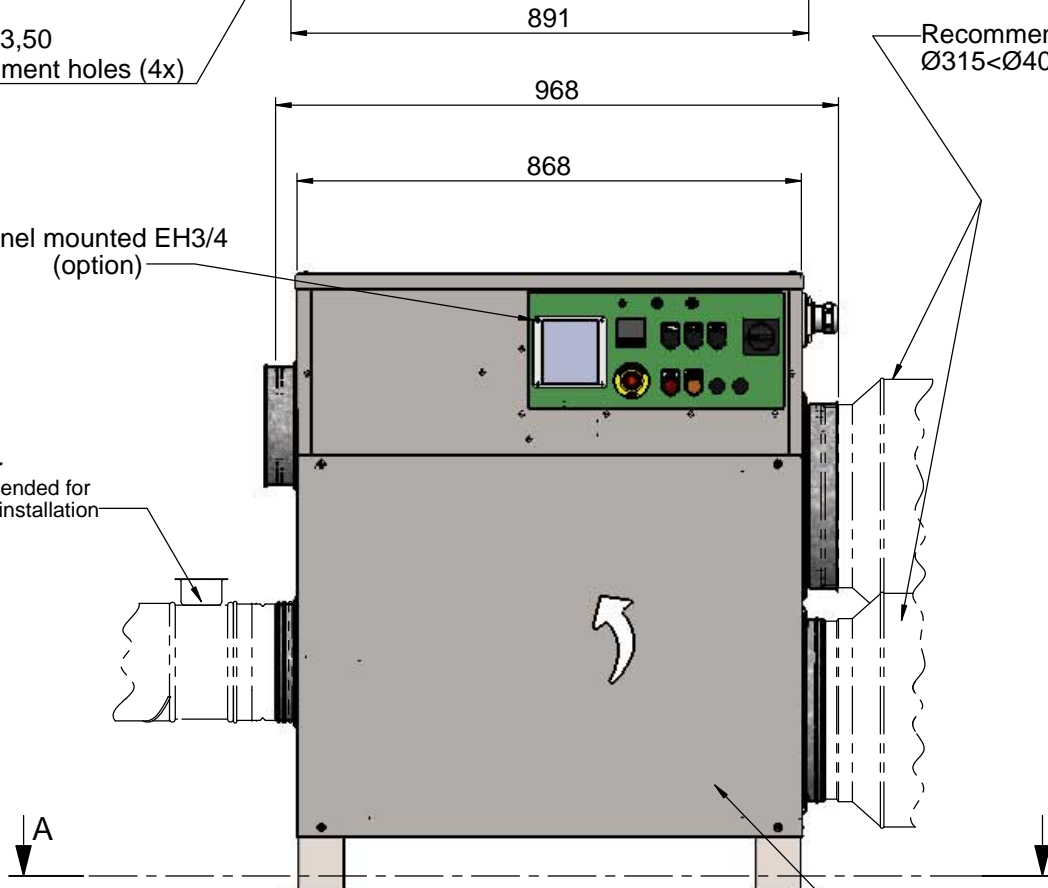
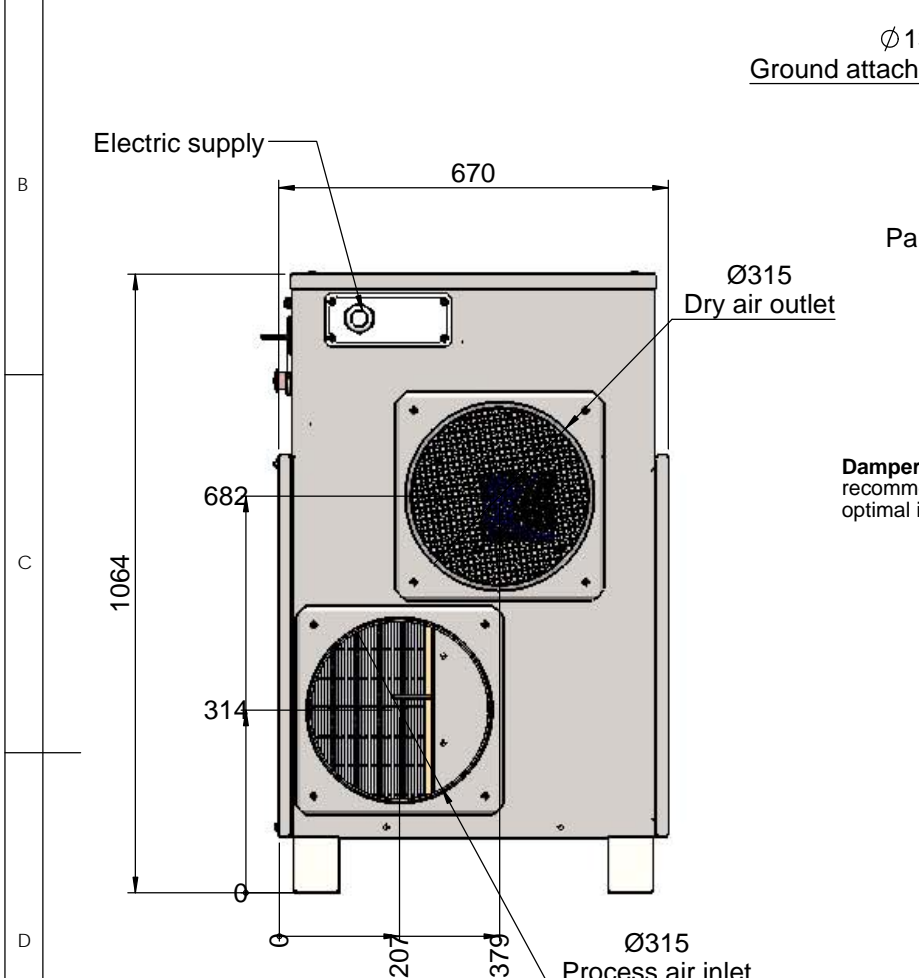
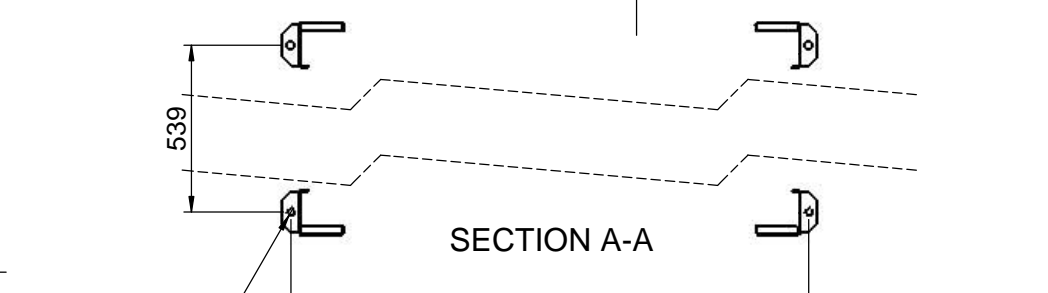
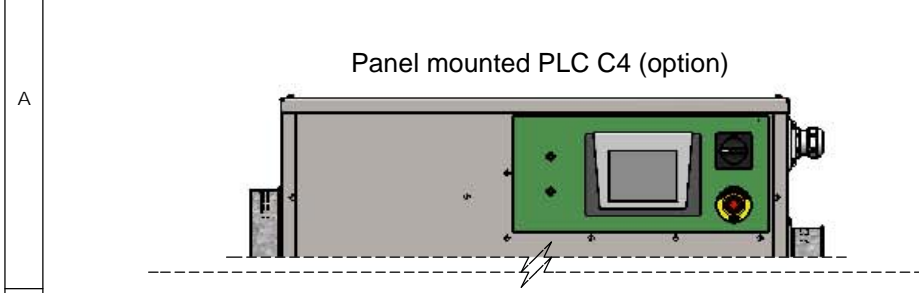



REVISIONS			
REV.	DESCRIPTION	DATE	APPROVED



**Packaging dimensions:**  
 WxDxH = 1200x800x1250  
 Weight ~ 135 kg

This document and its contents are the exclusive property of DST Seibu Giken and must not be copied, reproduced, transmitted or communicated to any other party or used for purposes not expressly permitted by us.



Designed by <b>Erik L</b>		Date 2014-03-28		Title/Description <b>Dimensionsritning RL-61</b> Dimensional drawing
Drawn by <b>Erik L</b>		Date 2016-08-22		
Approved by -		Date -		<b>RL-61R/R ICE/LR/LR ICE</b>
Material -		Thickness t=		
Status <b>Construction</b>		Tolerance ISO 2768-1m		Drawing no <b>DST05591</b>
Scale 1:13	Format A3	Sheet/Sheet 1/1	Rev Part 00+	Weight (Kg) 125.000

Seibu Giken DST AB  
 +46 8 445 77 20  
 www.dst-sg.com

Rev  
**00+**