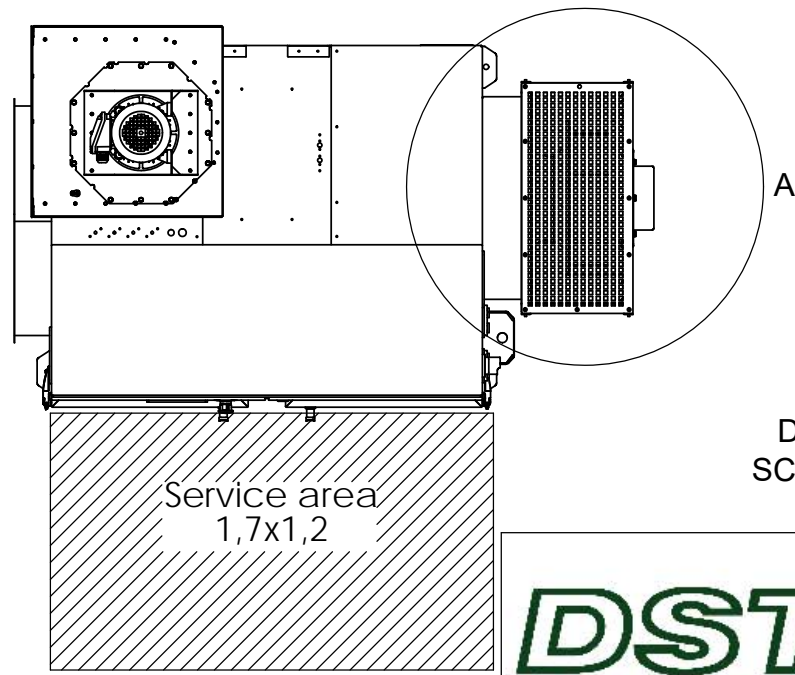
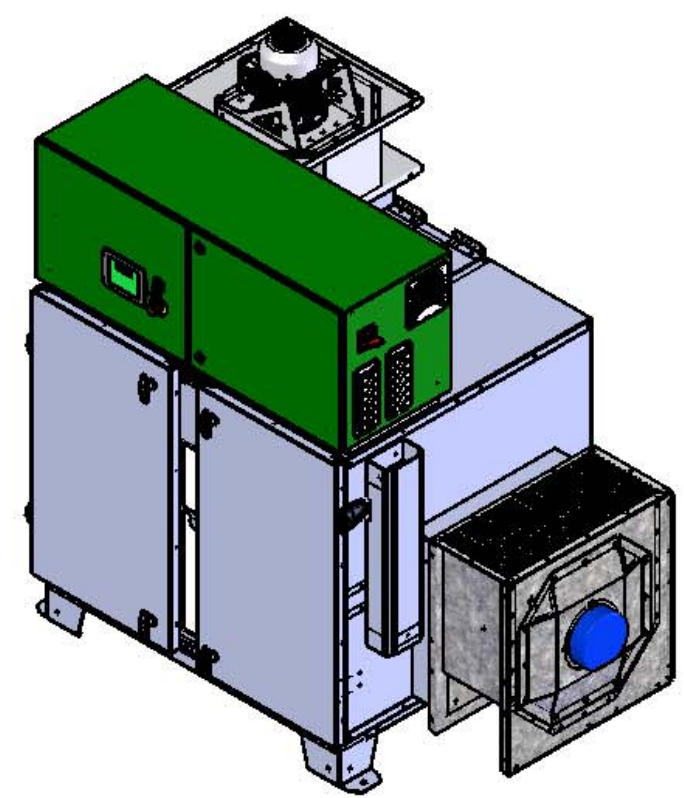
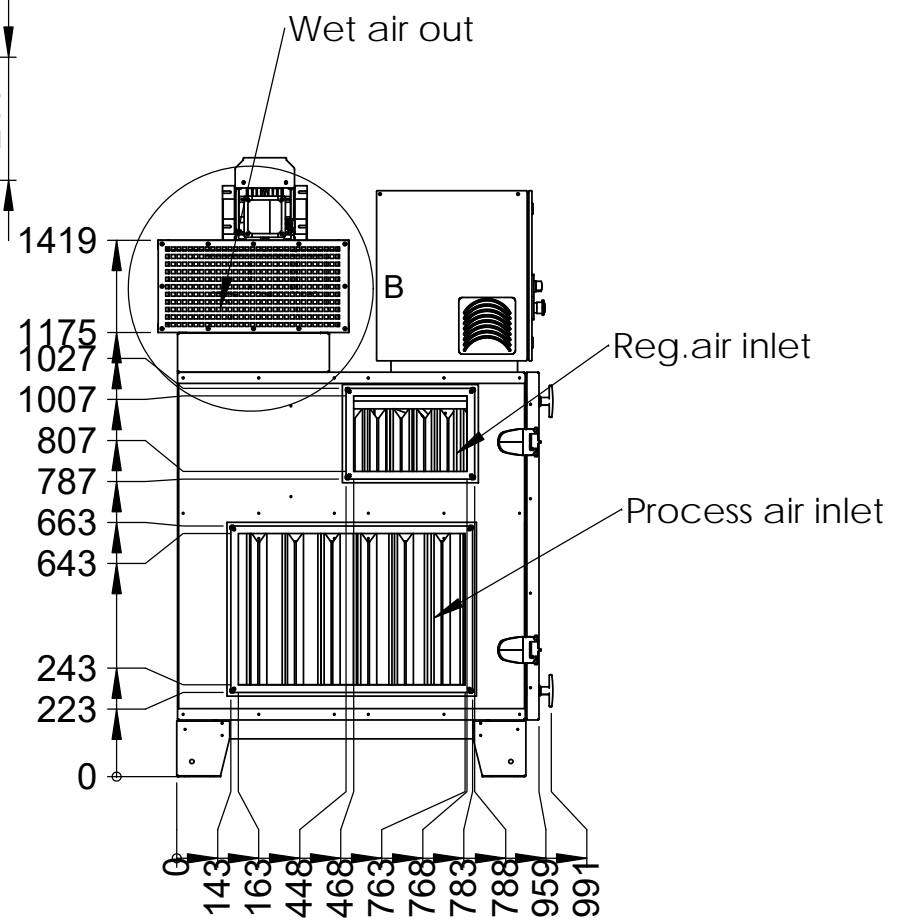
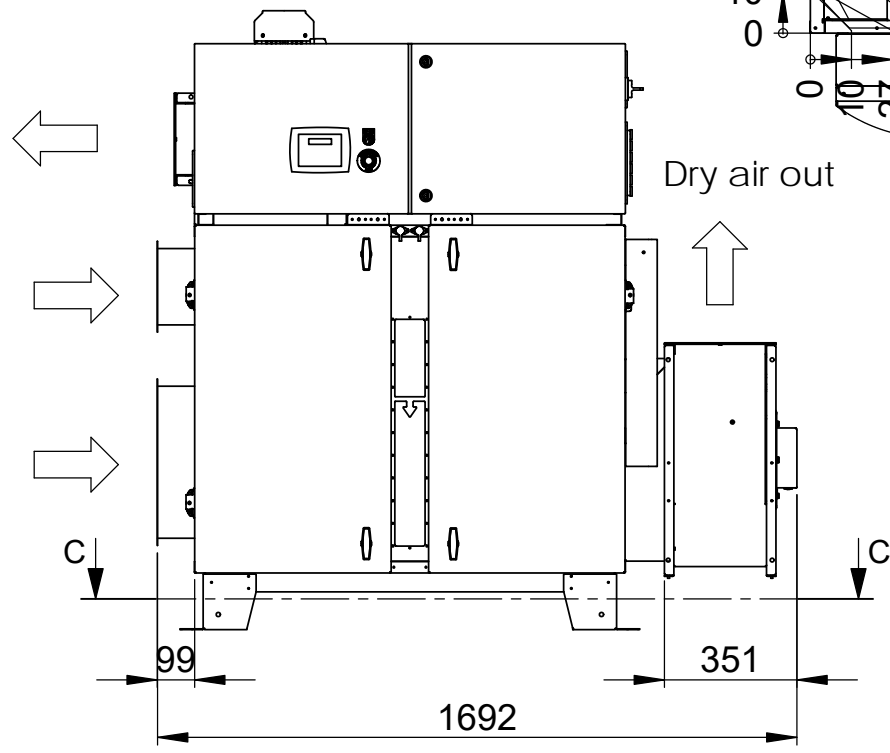
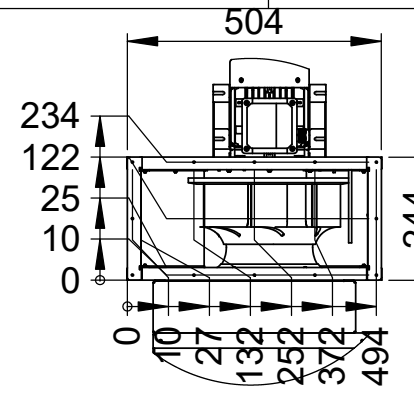
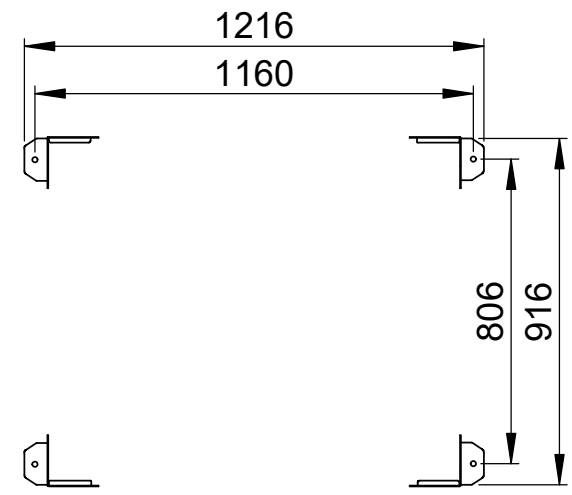
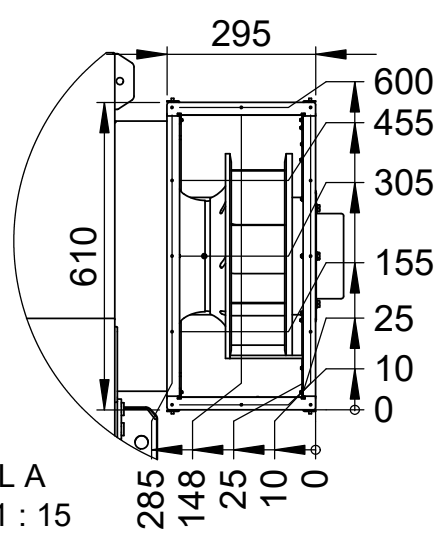


DETAIL B
SCALE 1 : 15



DETAIL A
SCALE 1 : 15



SECTION C-C

This document and its contents are the exclusive property of DST Seibu Giken and must not be copied, reproduced, transmitted or communicated to any other party or used for purposes not expressly permitted by us.



Seibu Giken DST AB
+46 8 445 77 20
www.dst-sg.com

Designed by Aynur P	Date 2018-05-24	Title/Description Installationsritning RLZ-81 ICE Installation Drawing
Drawn by Aynur P	Date 2018-05-24	
Approved by -	Date	RLZ-81
Material	Thickness t=	
Status Construction	Tolerance ISO 2768-1m	Drawing no DST10390
Scale 1:20	Format A3	
Sheet/Sheet 1/1	Rev Part 00+	Weight (Kg) 279.394
		Rev 00+