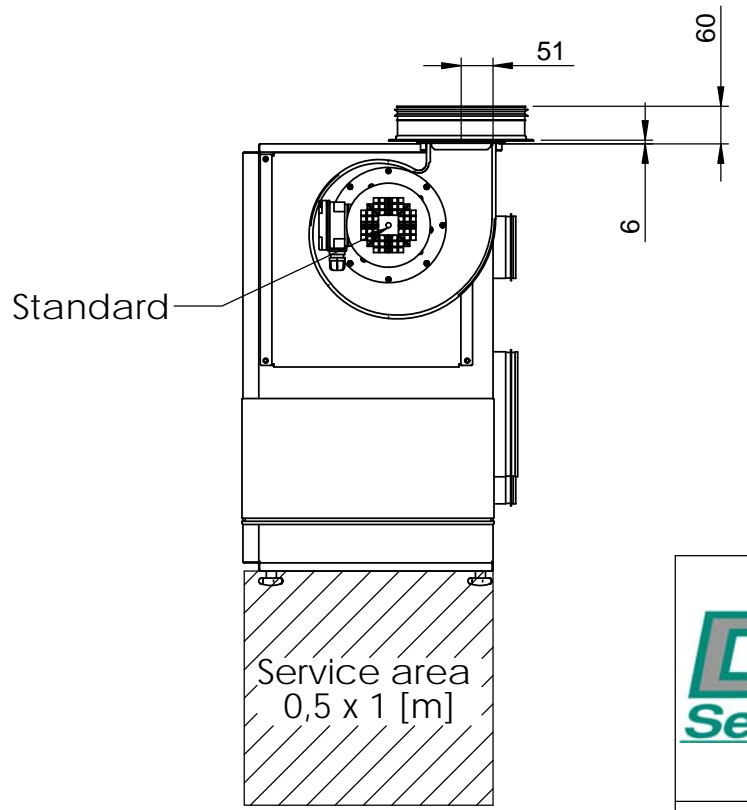
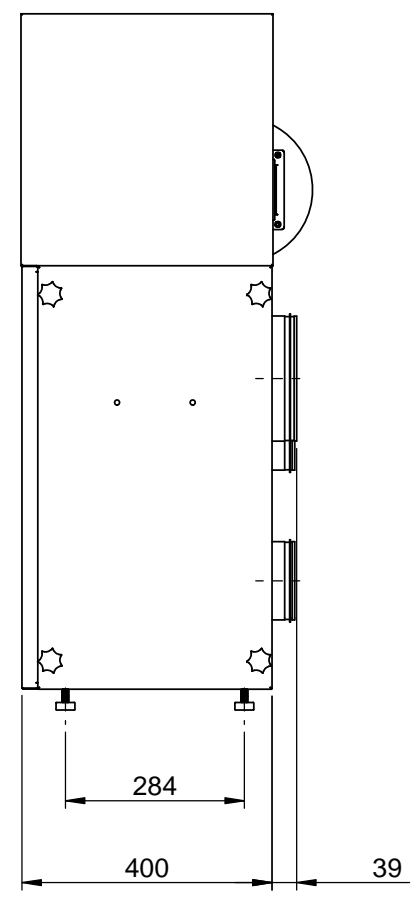
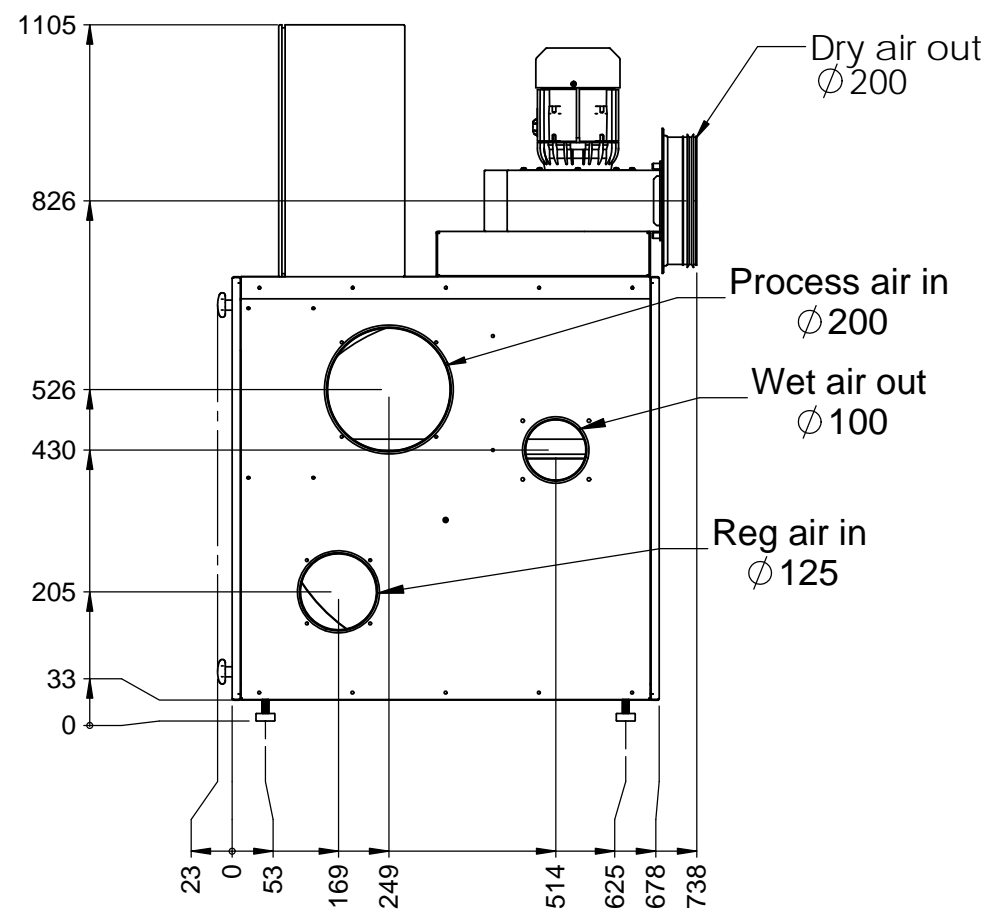
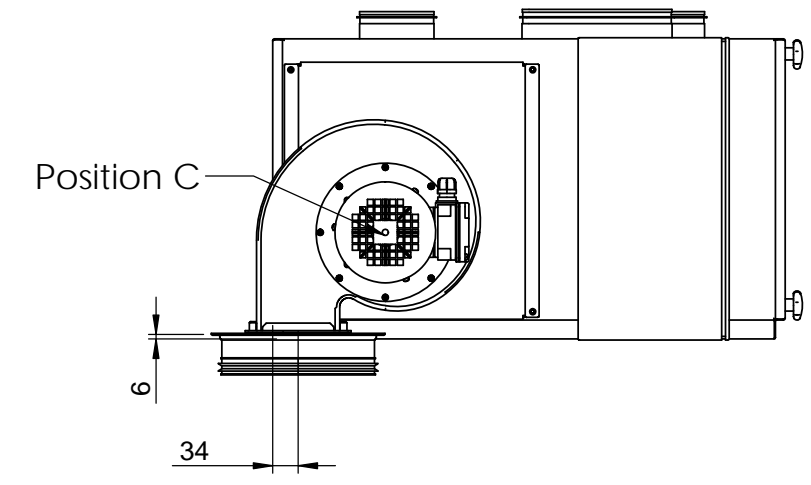
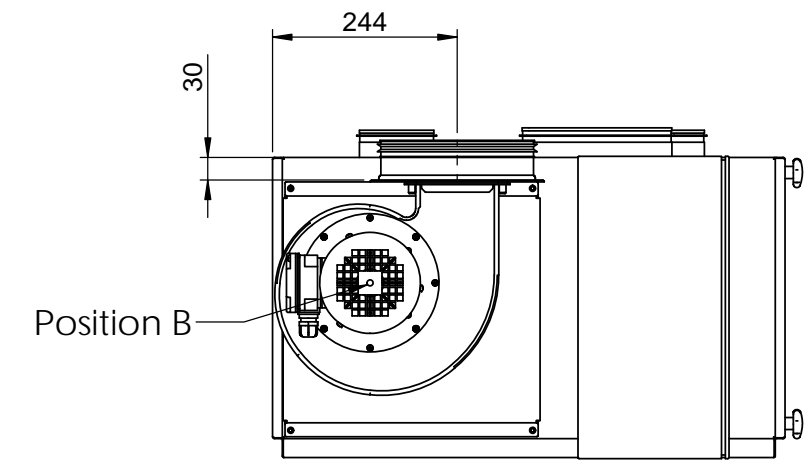


REVISIONS			
REV.	DESCRIPTION	DATE	APPROVED
01	Views for alternate dry air fan positions added	2014-11-17	EL

A  
B  
C  
D  
E  
F



Alternate dry air outlet positions



This document and its contents are the exclusive property of DST Seibu Giken and must not be copied, reproduced, transmitted or communicated to any other party or used for purposes not expressly permitted by us.

Packing Dimensions:  
WxHxD = 600 x 800 x 1175



Seibu Giken DST AB  
+46 8 445 77 20  
www.dst-sg.com

Designed by	Catarina S	Date	2013-11-28
Drawn by	Catarina S	Date	2013-11-28
Approved by	-	Date	-
Material		Thickness	t=
Status	Construction	Tolerance	ISO 2768-1m
Scale	1:12	Format	A3
Sheet/Sheet	1/1	Rev Part	01
Weight (Kg)	63.000		

Title/Description	Installationsritning R-060BR Installation drawing R-060BR
Drawing no	
DST05292	Rev
01+	